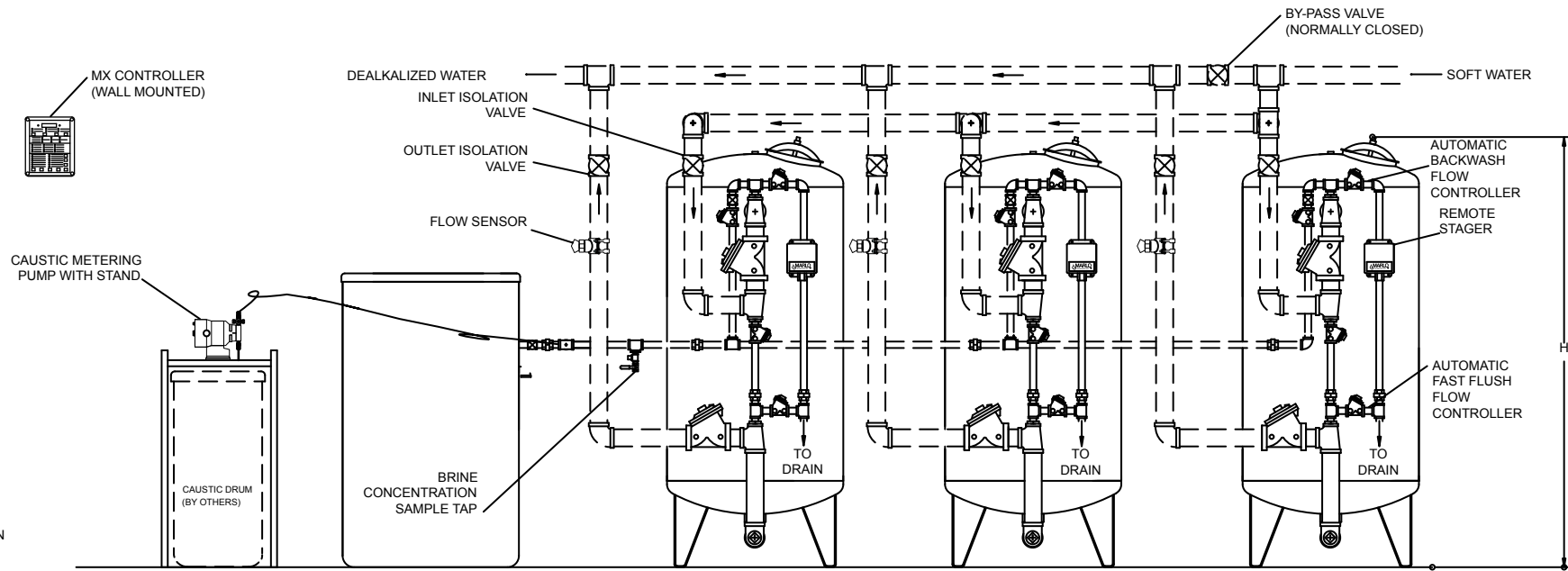
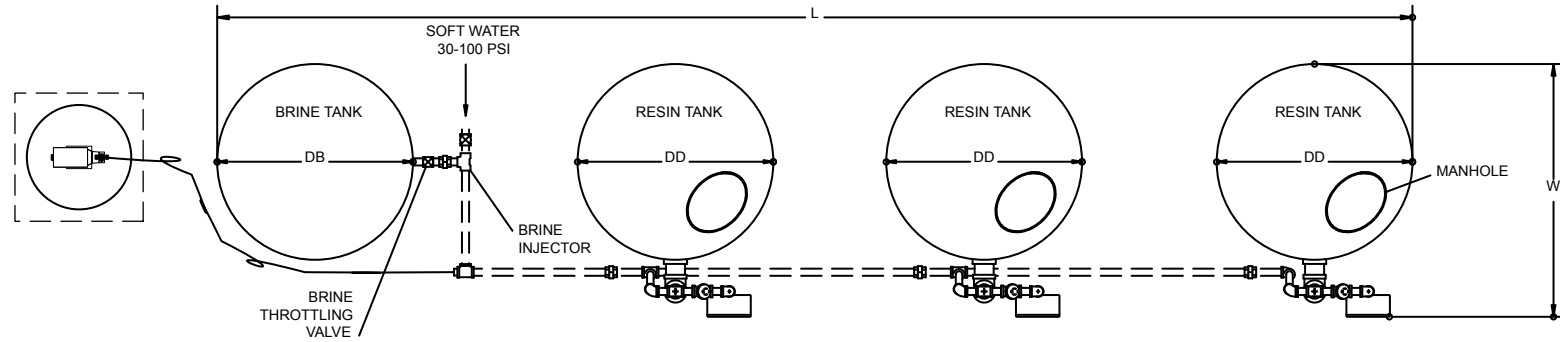


PIPE SIZES		DIMENSIONS	
INLET	_____	LENGTH	_____
OUTLET	_____	WIDTH	_____
DRAIN	_____	HEIGHT	_____
INJECTOR	_____	DD	_____
METER	_____	DB	_____



5-241

NOTES:
RESIN TANKS SMALLER THAN 36"
DIAMETER HAVE HANDHOLES

ALL PIPING, FITTINGS, ETC SHOWN IN
BROKEN LINES ARE BY OTHERS

REVISIONS

NO.	DATE	BY	REMARKS



**MDAS SERIES TRIPLE PARALLEL DEALKALIZER
MX CONTROLLER REGENERATION**

FRAC. ±	DEC. ±	FILE ID.	MDAS TRIP MX	
DRN.	RMM	SCALE	NTS	SHEET 1 OF 1
APP'D.	DRAWING NO.			REV.
DATE	9-15-04			